

IS 3180

DALI-2 Input Device - concealed, sq.
 EAN 4007841 057367
 Article number 057367



Infrarot-Sensor 180°



Max. 20 m



2 - 1000 Lux



IP20



Ideal 2,5 - 4 m



Energie sparen

5 years

Herstellergarantie steinel-
 professional.de/garantie



CE

Function description

For large areas. Infrared motion detector IS 3180 for indoors and out, ideal for watching over large areas, ideal installation height 2 m, 180° angle of coverage, reach 20 m max. or 8 m max. (tangential), DALI-2 Input Device enables sensors to communicate collected sensor data to higher-level lighting management systems (e.g. LiveLink).

Technical specifications

Dimensions (L x W x H)	78 x 94 x 94 mm
With motion detector	Yes
Manufacturer's Warranty	5 years
Settings via	Bus
With remote control	No
Version	DALI-2 Input Device - concealed, sq.
PU1, EAN	4007841057367
Type	Motion detectors
Application, place	Outdoors, Indoors
Application, room	corridor / aisle, function room / ancillary room, stairwell, multi-storey / underground car park, outdoors, all round the building, courtyard & driveway, Indoors
Colour	white
Colour, RAL	9003
Includes corner wall mount	No
Installation site	wall, corner

Technology, sensors	passive infrared, Light sensor
Mounting height	1,80 – 2,50 m
Mounting height max.	2,50 m
Optimum mounting height	2 m
Detection angle	180 °
Angle of aperture	90 °
Sneak-by guard	Yes
Capability of masking out individual segments	Yes
Electronic scalability	No
Mechanical scalability	No
Reach, radial	r = 4 m (25 m ²)
Reach, tangential	r = 20 m (628 m ²)
Switching zones	448 switching zones
Twilight setting	2 – 1000 lx
Basic light level function	No
Main light adjustable	No

IS 3180

DALI-2 Input Device - concealed, sq.
 EAN 4007841 057367
 Article number 057367



Technical specifications

Installation	Concealed wiring, Wall, corner	Twilight setting TEACH	No
IP-rating	IP20	Constant-lighting control	No
Ambient temperature	-20 – 50 °C	Interconnection	Yes
Material	Plastic	Type of interconnection	Master/slave
Mains power supply	12 – 22,5 V / 50 – 60 Hz	Interconnection via	DALI bus
Switching output 1, floating	No	Max. Current consumption according to IEC 62386-101	24 mA
Power supply, detail	DALI bus	Typical current consumption at 16V input voltage	5 mA
Number of Dali users	3	Max. Current consumption at 10V input voltage in regular operation	7 mA
Steuerausgang, Dali	Addressable/slave		
With bus coupling	Yes		

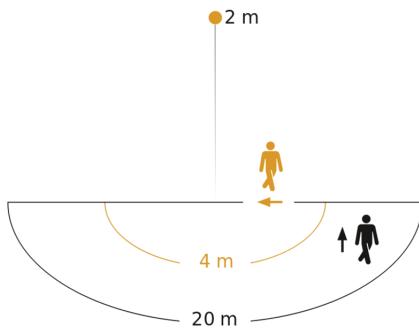
Accessories

EAN 4007841 009151	Remote control Smart Remote
EAN 4007841 056728	Black cover for IR-sensors

IS 3180

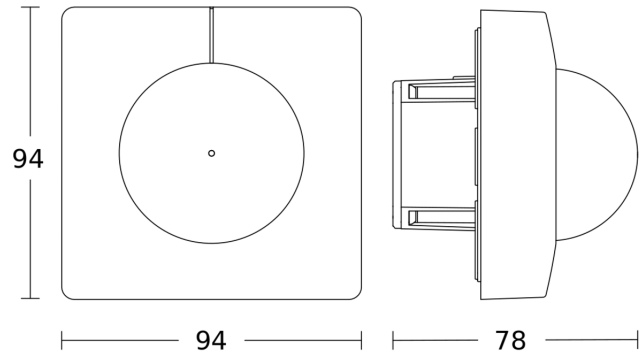
DALI-2 Input Device - concealed, sq.
EAN 4007841 057367
Article number 057367

Detection Zone



Possible mounting height: 1,80 m - 2,50 m
Orange: radial
Black: tangential

Dimension Drawing



Circuit diagram

